

GRUBBENS PULPERS,
THE RESULT OF 50 YEARS OF EXPERIENCE
AND CONTINUOUS DEVELOPMENT.



GRUBBENS PULPERS FULFILL
MARKET REQUIREMENTS, SUCH AS:

- Gentle disintegration of pulp
- High pulping consistency
- Disintegration of wet-strength material without the use of chemical additives or steam
- Low energy consumption
- Low maintenance costs
- Unique technical features such as reversible strainer plates, wear strips and counter knives
- Customized solutions

CELLWOOD MACHINERY
World Leader of Dispersing & Pulping Technology



Cellwood Machinery AB develops, manufactures and supplies machinery and systems for the pulp and paper industry. Our aim is constant development, leading to cost-effective machinery and energy savings for our customers. Cellwood Machinery always provides an operational guarantee and undertakes everything from engineering and drawing documentation to complete installations.

Cellwood Machinery is a world leader in pulper design and dispersing systems. We are represented in all countries by our own personnel or agents. For further information, visit our website www.cellwood.se.

Cellwood Machinery is part of the Swedish family-owned industrial group The Cellwood Group, which has around 350 employees.

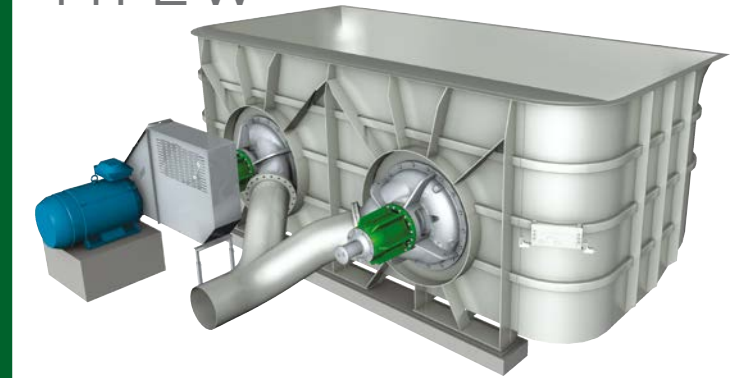


Cellwood Machinery AB • Box 65 • SE-571 21 NÄSSJÖ • SWEDEN • Phone +46 380-760 00 • Fax +46 380-141 23
Street address • Storgatan 53 • SE-571 32 NÄSSJÖ • SWEDEN • E-mail sales@cellwood.se • www.cellwood.se

— a member of the Cellwood Group —



Grubbens
Horizontal
Pulpers
TYPE W



CELLWOOD
MACHINERY

Grubbens Horizontal Pulpers

TYPE W

Grubbens W pulpers are used in the following positions:

- Pulper for disintegration of bale pulp ①
- Couch pulper ②
- Press pulper ③
- Size press pulper ④
- Pulpers before and after coating ④
- Pope pulper ④
- Winder pulper ⑤
- Trim pulper ⑥
- Broke pulper ⑦

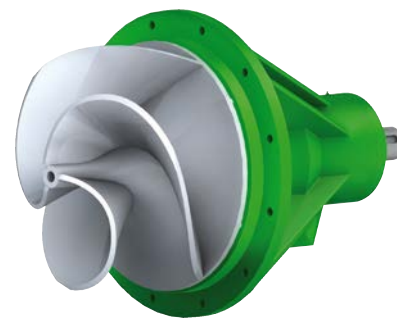
GRUBBENS S-ROTOR



GRUBBENS S-ROTOR OPTIMIZED FOR:

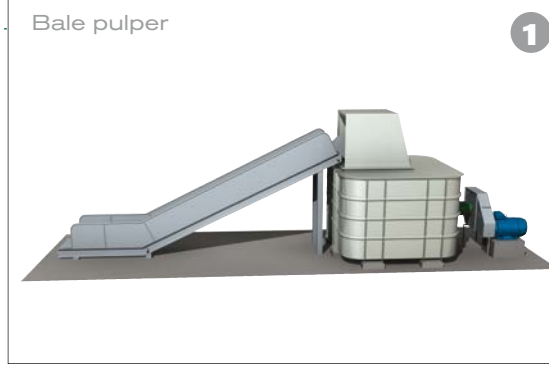
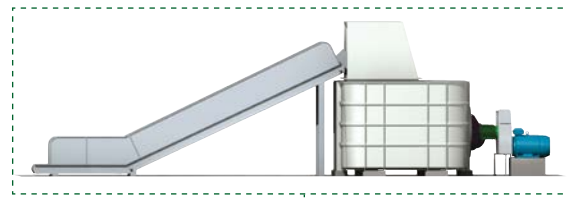
- Mechanical processing
- High pulp consistency
- Low energy consumption

GRUBBENS G-ROTOR



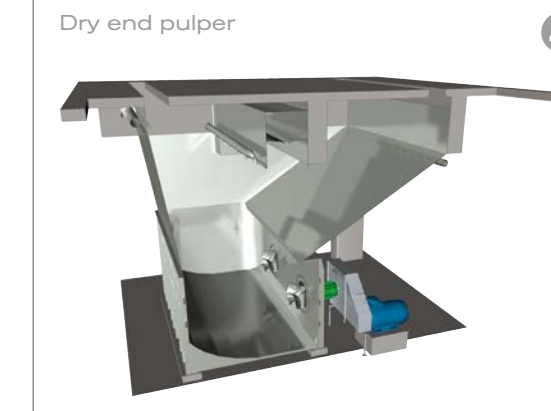
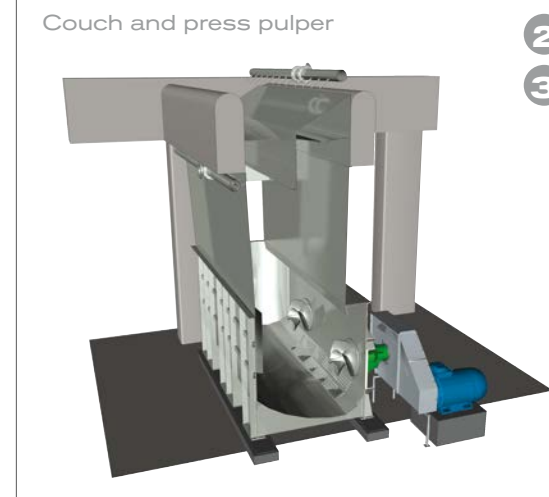
GRUBBENS G-ROTOR OPTIMIZED FOR:

- Lower dry content, such as in couch and press pulpers
- Low energy input
- High flows



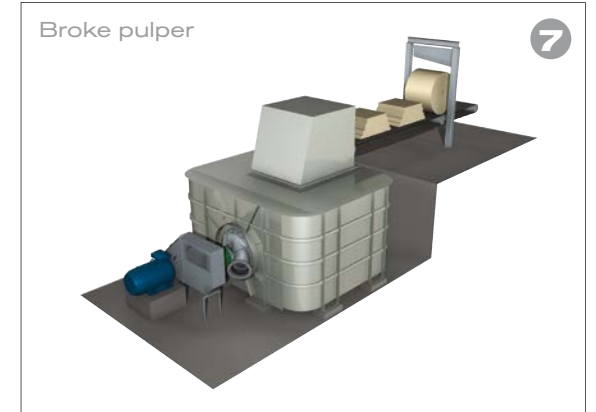
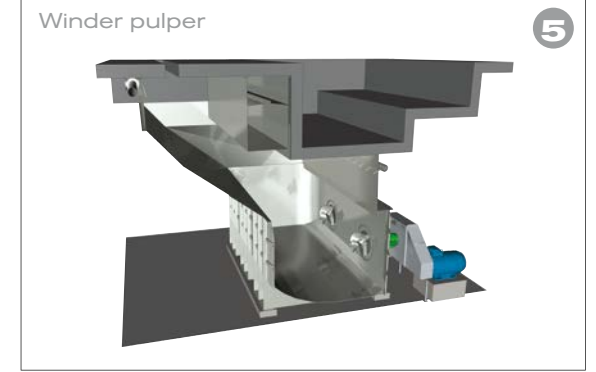
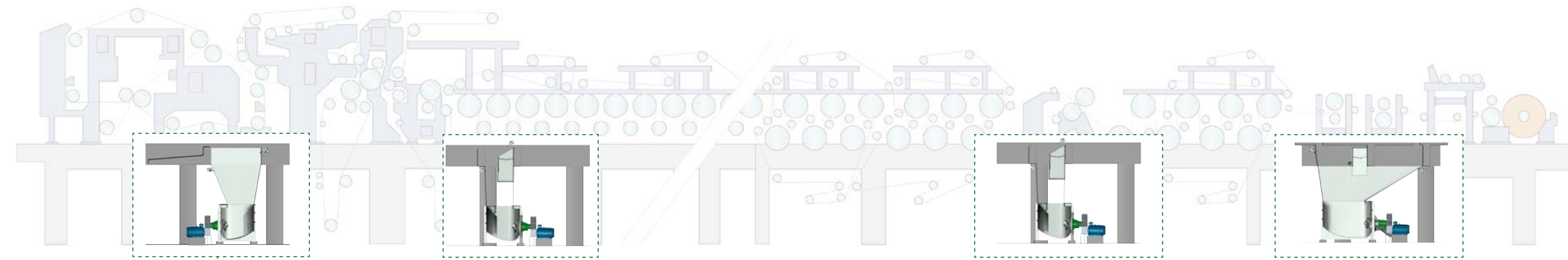
HORIZONTAL PULPER FOR BALE PULP

- Because the overall height is much lower than a vertical pulper, a shorter and less costly bale conveyor can be used. This results in a better, more compact and simpler layout for the entire system.
- The Grubbens horizontal design consumes less energy than a traditional vertical pulper, under the same operating conditions.
- The unique design of the unit and tub yields optimum operation with minimal maintenance costs.



PULPERS UNDER AND AROUND PAPER MACHINES

- The design of Grubbens pulpers allows flexible and fully custom engineered installation solutions.
- Grubbens S-rotors are installed in pulpers that process broke with a dry content of 50 percent or higher.
- Cellwood designs and configures showers, venting systems and chutes in order to achieve optimum pulper operation.



WINDER PULPER, TRIM PULPER AND BROKE PULPER

- The Grubbens pulper design and its robust construction enables optimum customization, e.g. direct mounting of a cyclone on pulper.
- low power consumption and high level of reliability results in a pulper with very low operating and maintenance costs.

TECHNICAL INFORMATION

OPERATION

Grubbens Pulper units are designed for use with either a belt drive or a gear drive.

As the rotor unit has its own bearings, when using a gear drive, the coupling is connected to the rotor shaft. This means that the gear only has to sustain torque forces.

A belt drive provides quieter operation and increased flexibility, while a gear drive is used when higher power demand is required.

PROCESS ENGINEERING

Under machine pulpers require optimum level and pulping consistency. For more stable operation, the pulping consistency is controlled via flow metering.

Venting systems are fitted so that a partial vacuum is created in the chute. This helps convey the web into the pulper resulting in quick submergence and minimizes the risk of condensation on paper machine parts.

